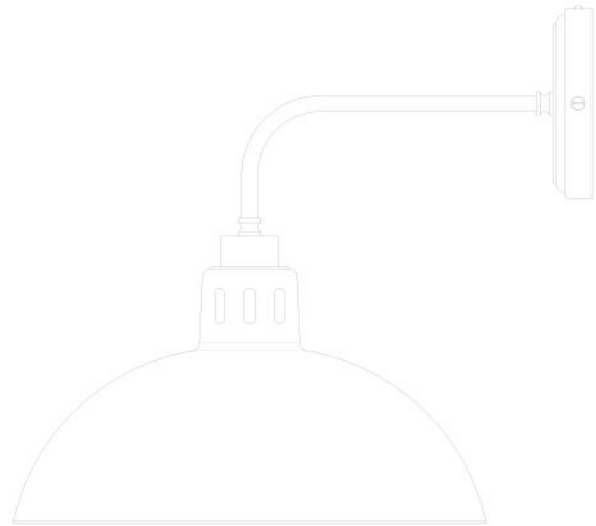


# TALISE Bathroom Light

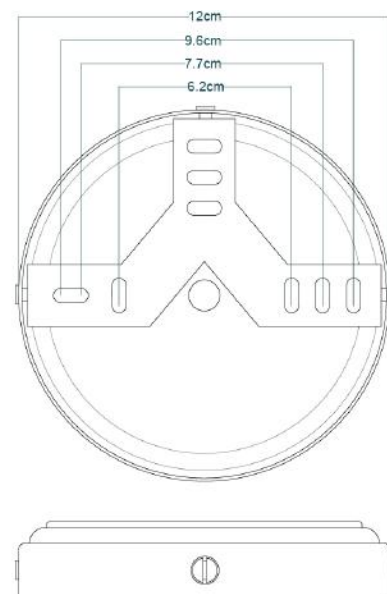
MLBWL001ANTBRS

Antique Brass



MATERIAL	Brass   Aluminium   Glass
HEIGHT	32cm   12.6"
WIDTH   DIAMETER	30cm   11.81"
LENGTH   PROJECTION	35cm   13.78"
WEIGHT	1.42kg   3.13lb
LAMPHOLDER	E27
MAX WATTAGE	6.5W
VOLTAGE	220/240v
IP RATING	IP65
CLASS PROTECTION	2
SHADE	GLWP01
FLEX   BAR   CHAIN LENGT	n/a
CABLE TYPE	

FIXING BRACKET MLWB09 | Antique Brass

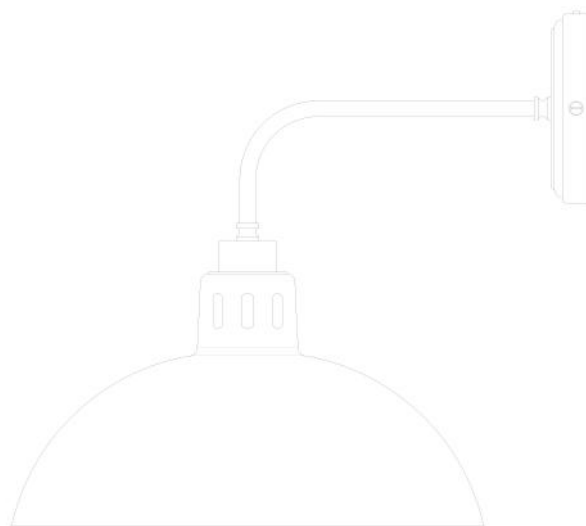


[www.mullanlighting.com](http://www.mullanlighting.com)

**Product Notes:**

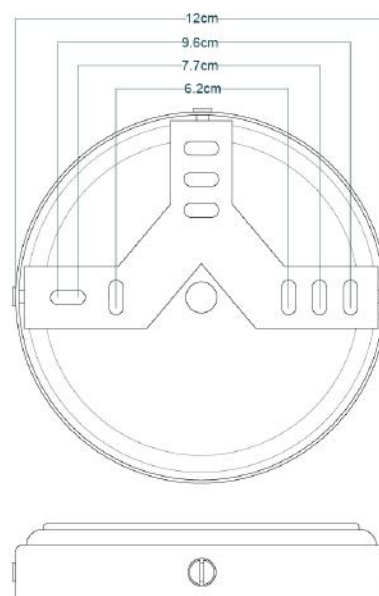
1) Lamps not included with light fixture. 2) All products are individually hand crafted, therefore may differ slightly within manufacturing tolerances. 3) Please refer to: <http://www.mullanlighting.com/terms> for full list of Terms & Conditions. 4) Cable/Chain can be shortened during installation. 5) Longer Cable/Chain available on request. 6) Additional colour finishes available on request. 7.) Dimensions do not include lamps. 8.) Products wired to UL standards will operate at 110/120v with the appropriate lampholders.

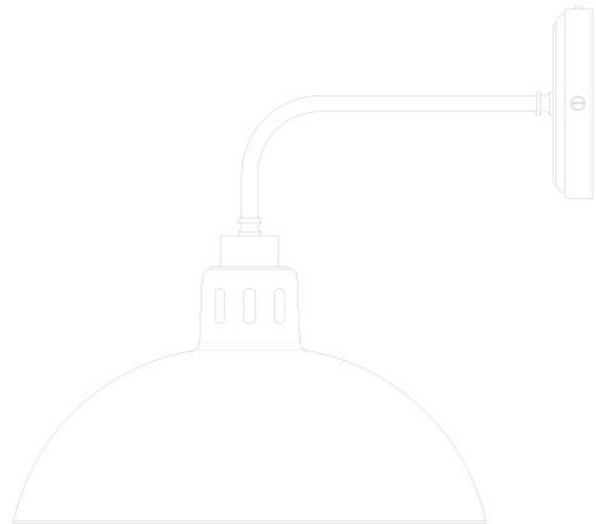




MATERIAL	Brass   Aluminium   Glass
HEIGHT	32cm   12.6"
WIDTH   DIAMETER	30cm   11.81"
LENGTH   PROJECTION	35cm   13.78"
WEIGHT	1.42kg   3.13lb
LAMPHOLDER	E27
MAX WATTAGE	6.5W
VOLTAGE	220/240v
IP RATING	IP65
CLASS PROTECTION	2
SHADE	GLWP01
FLEX   BAR   CHAIN LENGT	n/a
CABLE TYPE	

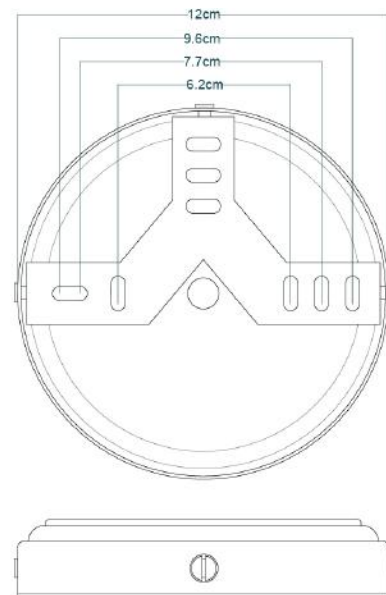
FIXING BRACKET MLWB09 | Antique Silver

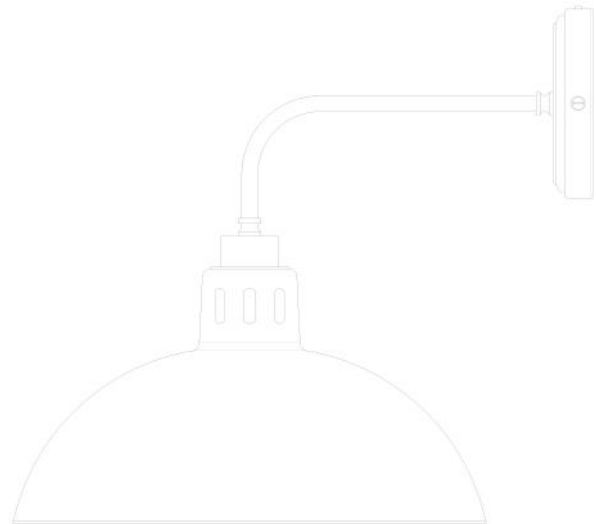




MATERIAL	Brass   Aluminium   Glass
HEIGHT	32cm   12.6"
WIDTH   DIAMETER	30cm   11.81"
LENGTH   PROJECTION	35cm   13.78"
WEIGHT	1.42kg   3.13lb
LAMPHOLDER	E27
MAX WATTAGE	6.5W
VOLTAGE	220/240v
IP RATING	IP65
CLASS PROTECTION	2
SHADE	GLWP01
FLEX   BAR   CHAIN LENGT	n/a
CABLE TYPE	

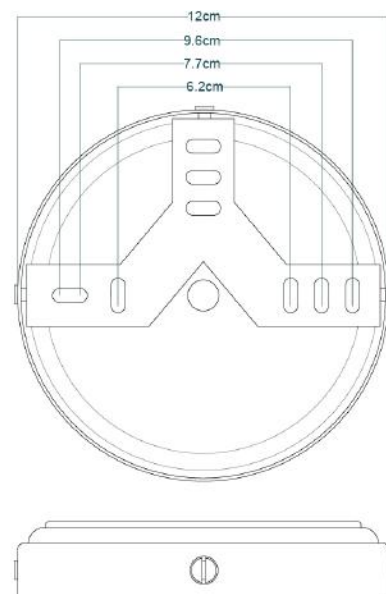
FIXING BRACKET MLWB09 | Natural Brass

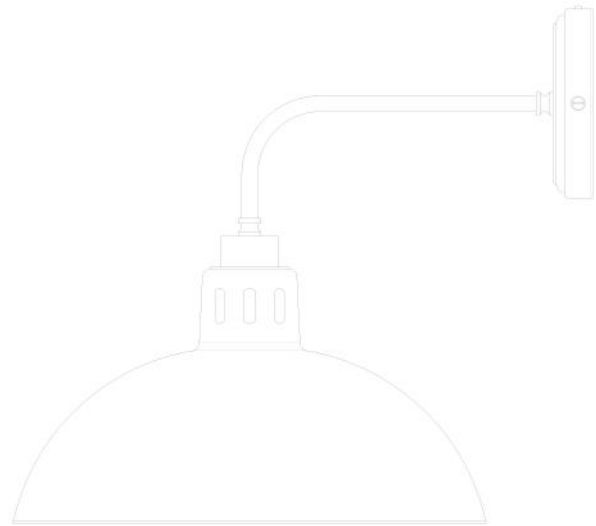




MATERIAL	Brass   Aluminium   Glass
HEIGHT	32cm   12.6"
WIDTH   DIAMETER	30cm   11.81"
LENGTH   PROJECTION	35cm   13.78"
WEIGHT	1.42kg   3.13lb
LAMPHOLDER	E27
MAX WATTAGE	6.5W
VOLTAGE	220/240v
IP RATING	IP65
CLASS PROTECTION	2
SHADE	GLWP01
FLEX   BAR   CHAIN LENGT	n/a
CABLE TYPE	

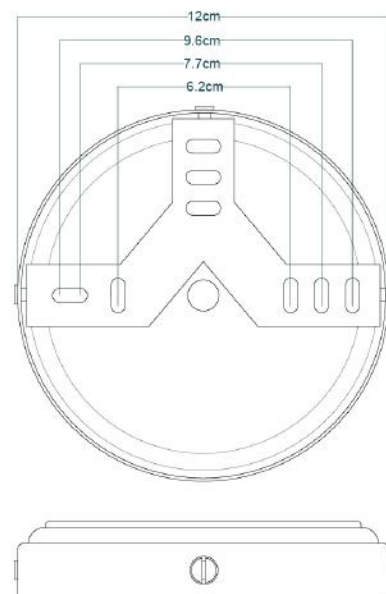
FIXING BRACKET MLWB09 | Matt Black

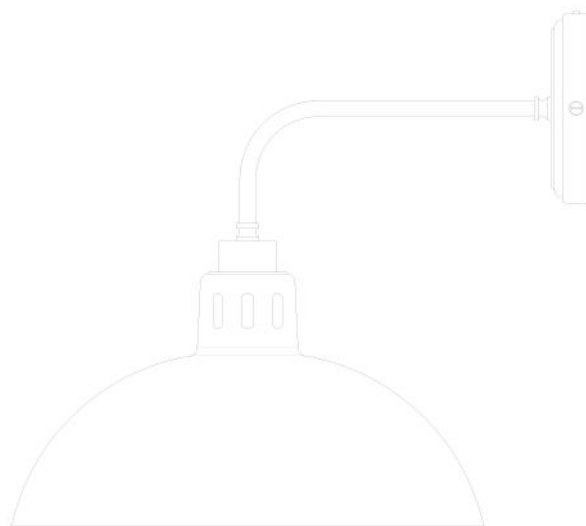




MATERIAL	Brass   Aluminium   Glass
HEIGHT	32cm   12.6"
WIDTH   DIAMETER	30cm   11.81"
LENGTH   PROJECTION	35cm   13.78"
WEIGHT	1.42kg   3.13lb
LAMPHOLDER	E27
MAX WATTAGE	6.5W
VOLTAGE	220/240v
IP RATING	IP65
CLASS PROTECTION	2
SHADE	GLWP01
FLEX   BAR   CHAIN LENGT	n/a
CABLE TYPE	

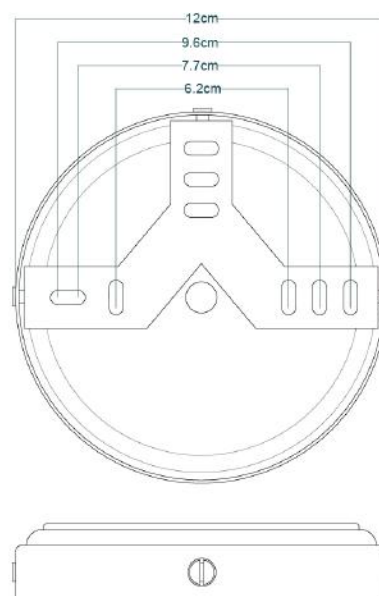
FIXING BRACKET MLWB09 | White





MATERIAL	Brass   Aluminium   Glass
HEIGHT	32cm   12.6"
WIDTH   DIAMETER	30cm   11.81"
LENGTH   PROJECTION	35cm   13.78"
WEIGHT	1.42kg   3.13lb
LAMPHOLDER	E27
MAX WATTAGE	6.5W
VOLTAGE	220/240v
IP RATING	IP65
CLASS PROTECTION	2
SHADE	GLWP01
FLEX   BAR   CHAIN LENGT	n/a
CABLE TYPE	

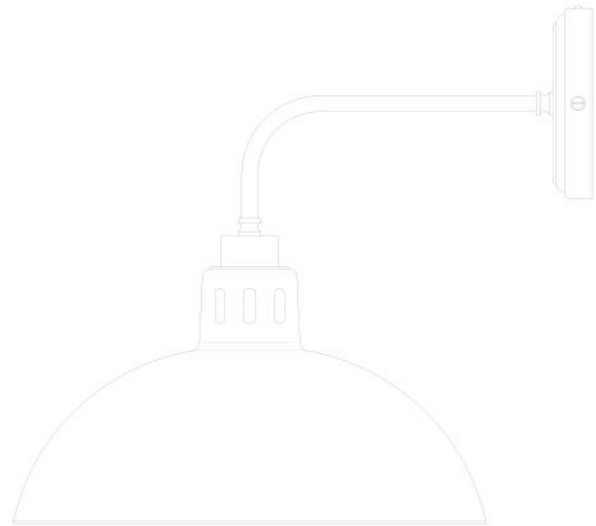
FIXING BRACKET MLWB09 | Polished Brass



Product Notes:

1) Lamps not included with light fixture. 2) All products are individually hand crafted, therefore may differ slightly within manufacturing tolerances. 3) Please refer to: <http://www.mullanlighting.com/terms> for full list of Terms & Conditions. 4) Cable/Chain can be shortened during installation. 5) Longer Cable/Chain available on request. 6) Additional colour finishes available on request. 7.) Dimensions do not include lamps. 8.) Products wired to UL standards will operate at 110/120v with the appropriate lampholders.





MATERIAL	Brass   Aluminium   Glass
HEIGHT	32cm   12.6"
WIDTH   DIAMETER	30cm   11.81"
LENGTH   PROJECTION	35cm   13.78"
WEIGHT	1.42kg   3.13lb
LAMPHOLDER	E27
MAX WATTAGE	6.5W
VOLTAGE	220/240v
IP RATING	IP65
CLASS PROTECTION	2
SHADE	GLWP01
FLEX   BAR   CHAIN LENGT	n/a
CABLE TYPE	

FIXING BRACKET MLWB09 | Satin Brass

