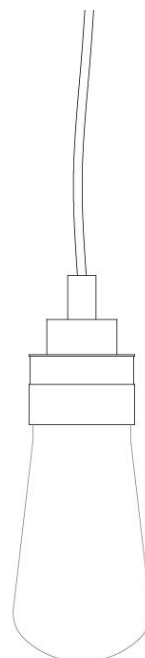


BO Bathroom Pendant

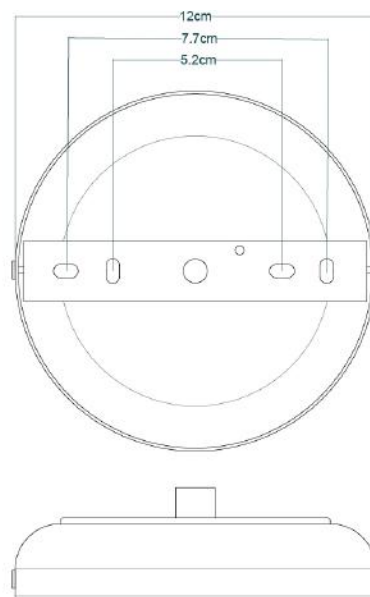
MLBP009ANTSLV

Antique Silver



MATERIAL	Brass Aluminium Glass
HEIGHT	22cm 8.66"
WIDTH DIAMETER	8cm 3.15"
LENGTH PROJECTION	n/a
WEIGHT	0.85kg 1.87lb
LAMPHOLDER	E27
MAX WATTAGE	6.5W
VOLTAGE	220/240v
IP RATING	IP65
CLASS PROTECTION	2
SHADE	GLWP01
FLEX BAR CHAIN LENGT	100cm 40"
CABLE TYPE	MLOCA002 2 Core Round Black Braid Rubber

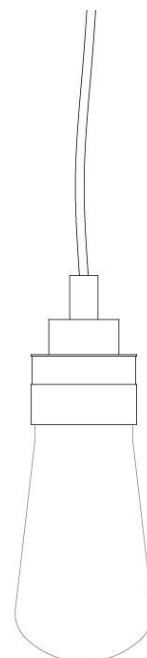
FIXING BRACKET MLROSE31 | Antique Silver



www.mullanlighting.com

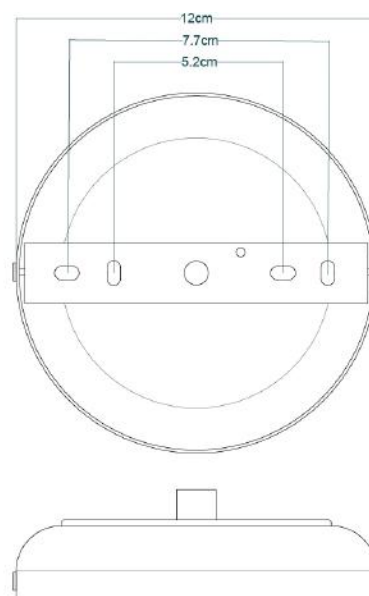
Product Notes:
 1) Lamps not included with light fixture. 2) All products are individually hand crafted, therefore may differ slightly within manufacturing tolerances. 3) Please refer to: <http://www.mullanlighting.com/terms> for full list of Terms & Conditions. 4) Cable/Chain can be shortened during installation. 5) Longer Cable/Chain available on request. 6) Additional colour finishes available on request. 7.) Dimensions do not include lamps. 8.) Products wired to UL standards will operate at 110/120v with the appropriate lampholders.





MATERIAL	Brass Aluminium Glass
HEIGHT	22 cm 8.66"
WIDTH DIAMETER	8 cm 3.15"
LENGTH PROJECTION	100 cm 39.37"
WEIGHT	0.85kg 1.87lb
LAMPHOLDER	E27
MAX WATTAGE	6.5W
VOLTAGE	220/240v
IP RATING	IP65
CLASS PROTECTION	2
SHADE	GLWP02
FLEX BAR CHAIN LENGT	100cm 40"
CABLE TYPE	MLOCA002 2 Core Round Black Braid Rubber

FIXING BRACKET MLROSE31 | Satin Brass

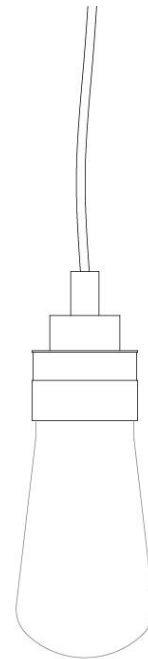


Product Notes:
 1) Lamps not included with light fixture. 2) All products are individually hand crafted, therefore may differ slightly within manufacturing tolerances. 3) Please refer to: <http://www.mullanlighting.com/terms> for full list of Terms & Conditions. 4) Cable/Chain can be shortened during installation. 5) Longer Cable/Chain available on request. 6) Additional colour finishes available on request. 7.) Dimensions do not include lamps. 8.) Products wired to UL standards will operate at 110/120v with the appropriate lampholders.



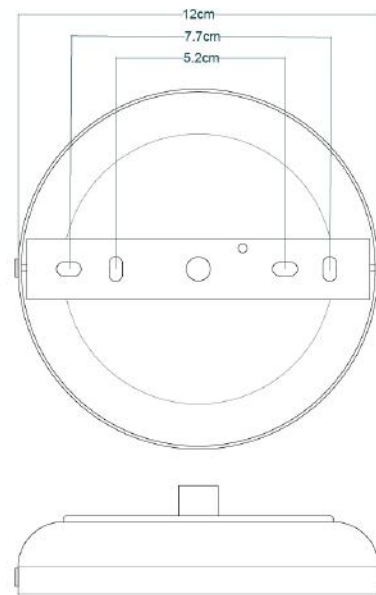
BO Bathroom Pendant

MLBP009NATBRS



MATERIAL	Brass Aluminium Glass
HEIGHT	22cm 8.66"
WIDTH DIAMETER	8cm 3.15"
LENGTH PROJECTION	n/a
WEIGHT	0.85kg 1.87lb
LAMPHOLDER	E27
MAX WATTAGE	6.5W
VOLTAGE	220/240v
IP RATING	IP65
CLASS PROTECTION	2
SHADE	GLWP01
FLEX BAR CHAIN LENGT	100cm 40"
CABLE TYPE	MLOCA002 2 Core Round Black Braid Rubber

FIXING BRACKET MLROSE31 | Natural Brass



www.mullanlighting.com

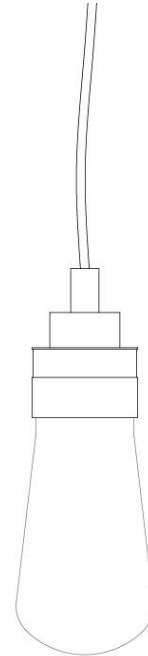
Product Notes:

1) Lamps not included with light fixture. 2) All products are individually hand crafted, therefore may differ slightly within manufacturing tolerances. 3) Please refer to: <http://www.mullanlighting.com/terms> for full list of Terms & Conditions. 4) Cable/Chain can be shortened during installation. 5) Longer Cable/Chain available on request. 6) Additional colour finishes available on request. 7.) Dimensions do not include lamps. 8.) Products wired to UL standards will operate at 110/120v with the appropriate lampholders.



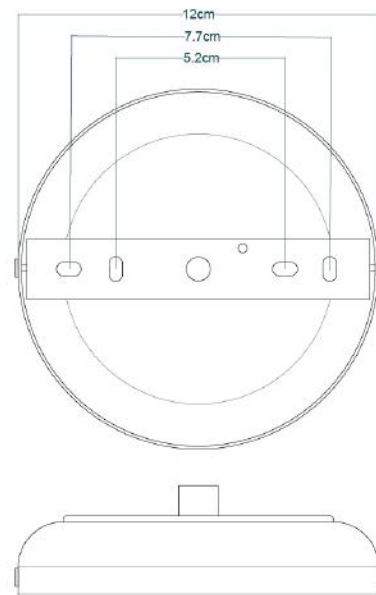
BO Bathroom Pendant

MLBP009NATBRSOP



MATERIAL	Brass Aluminium Glass
HEIGHT	22 cm 8.66"
WIDTH DIAMETER	8 cm 3.15"
LENGTH PROJECTION	100 cm 39.37"
WEIGHT	0.85kg 1.87lb
LAMPHOLDER	E27
MAX WATTAGE	6.5W
VOLTAGE	220/240v
IP RATING	IP65
CLASS PROTECTION	2
SHADE	GLWP02
FLEX BAR CHAIN LENGT	100cm 40"
CABLE TYPE	MLOCA002 2 Core Round Black Braid Rubber

FIXING BRACKET MLROSE31 | Natural Brass



www.mullanlighting.com

Product Notes:

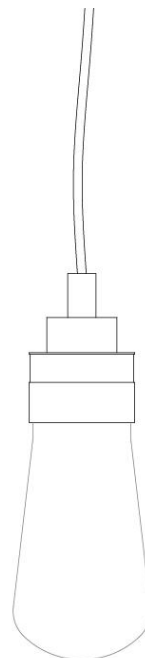
1) Lamps not included with light fixture. 2) All products are individually hand crafted, therefore may differ slightly within manufacturing tolerances. 3) Please refer to: <http://www.mullanlighting.com/terms> for full list of Terms & Conditions. 4) Cable/Chain can be shortened during installation. 5) Longer Cable/Chain available on request. 6) Additional colour finishes available on request. 7.) Dimensions do not include lamps. 8.) Products wired to UL standards will operate at 110/120v with the appropriate lampholders.



BO Bathroom Pendant

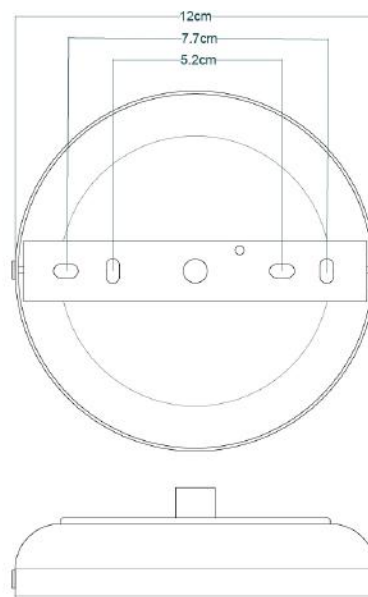
MLBP009PCMBK

Matt Black



MATERIAL	Brass Aluminium Glass
HEIGHT	22cm 8.66"
WIDTH DIAMETER	8cm 3.15"
LENGTH PROJECTION	n/a
WEIGHT	0.85kg 1.87lb
LAMPHOLDER	E27
MAX WATTAGE	6.5W
VOLTAGE	220/240v
IP RATING	IP65
CLASS PROTECTION	2
SHADE	GLWP01
FLEX BAR CHAIN LENGT	100cm 40"
CABLE TYPE	MLOCA002 2 Core Round Black Braid Rubber

FIXING BRACKET MLROSE31 | Matt Black



www.mullanlighting.com

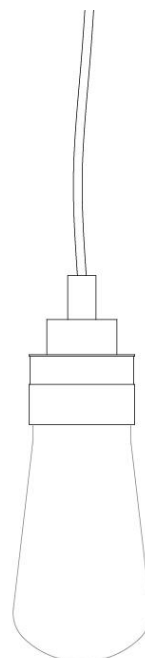
Product Notes:

1) Lamps not included with light fixture. 2) All products are individually hand crafted, therefore may differ slightly within manufacturing tolerances. 3) Please refer to: <http://www.mullanlighting.com/terms> for full list of Terms & Conditions. 4) Cable/Chain can be shortened during installation. 5) Longer Cable/Chain available on request. 6) Additional colour finishes available on request. 7.) Dimensions do not include lamps. 8.) Products wired to UL standards will operate at 110/120v with the appropriate lampholders.



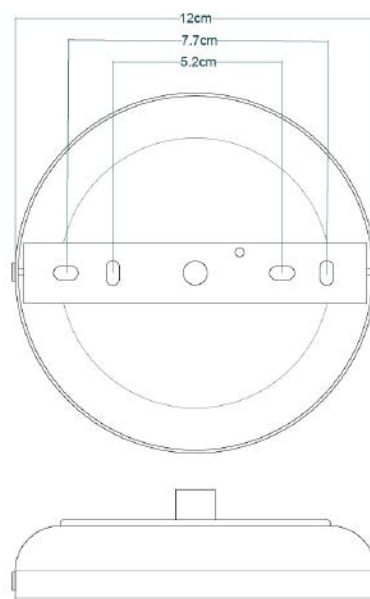


POWDER-COATED
MATTE BLACK



MATERIAL	Brass Aluminium Glass
HEIGHT	22 cm 8.66"
WIDTH DIAMETER	8 cm 3.15"
LENGTH PROJECTION	100 cm 39.37"
WEIGHT	0.85kg 1.87lb
LAMPHOLDER	E27
MAX WATTAGE	6.5W
VOLTAGE	220/240v
IP RATING	IP65
CLASS PROTECTION	2
SHADE	GLWP02
FLEX BAR CHAIN LENGT	100cm 40"
CABLE TYPE	MLOCA002 2 Core Round Black Braid Rubber

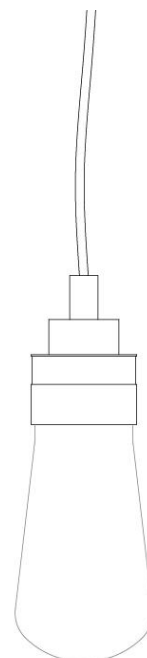
FIXING BRACKET MLROSE31 | Powder Coat Matte Black



BO Bathroom Pendant

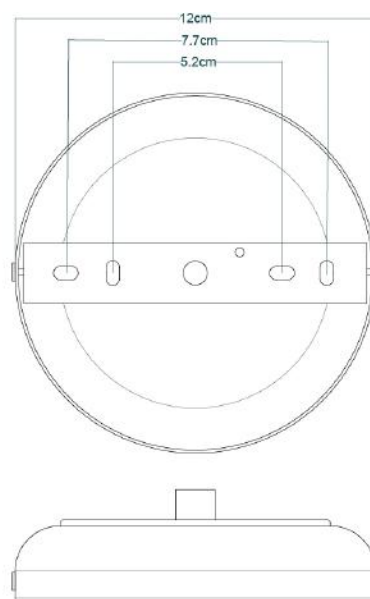
MLBP009PCWTE

White



MATERIAL	Brass Aluminium Glass
HEIGHT	22cm 8.66"
WIDTH DIAMETER	8cm 3.15"
LENGTH PROJECTION	n/a
WEIGHT	0.85kg 1.87lb
LAMPHOLDER	E27
MAX WATTAGE	6.5W
VOLTAGE	220/240v
IP RATING	IP65
CLASS PROTECTION	2
SHADE	GLWP01
FLEX BAR CHAIN LENGT	100cm 40"
CABLE TYPE	MLOCA002 2 Core Round Black Braid Rubber

FIXING BRACKET MLROSE31 | White



www.mullanlighting.com

Product Notes:

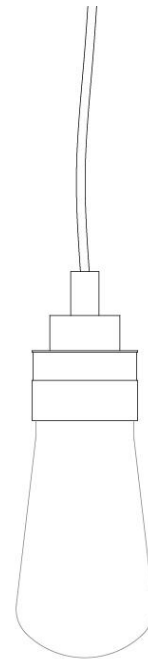
1) Lamps not included with light fixture. 2) All products are individually hand crafted, therefore may differ slightly within manufacturing tolerances. 3) Please refer to: <http://www.mullanlighting.com/terms> for full list of Terms & Conditions. 4) Cable/Chain can be shortened during installation. 5) Longer Cable/Chain available on request. 6) Additional colour finishes available on request. 7.) Dimensions do not include lamps. 8.) Products wired to UL standards will operate at 110/120v with the appropriate lampholders.



BO Bathroom Pendant

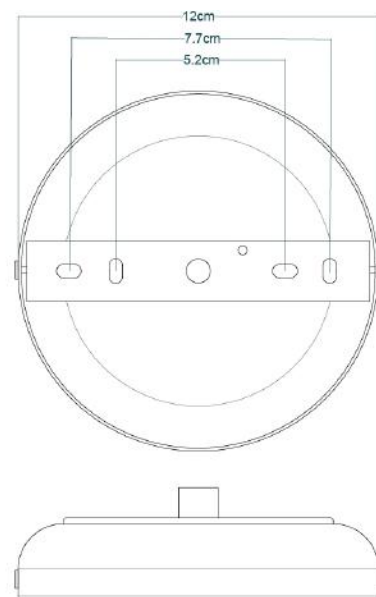
MLBP009PCWTEOP

White



MATERIAL	Brass Aluminium Glass
HEIGHT	22 cm 8.66"
WIDTH DIAMETER	8 cm 3.15"
LENGTH PROJECTION	100 cm 39.37"
WEIGHT	0.85kg 1.87lb
LAMPHOLDER	E27
MAX WATTAGE	6.5W
VOLTAGE	220/240v
IP RATING	IP65
CLASS PROTECTION	2
SHADE	GLWP02
FLEX BAR CHAIN LENGT	100cm 40"
CABLE TYPE	MLOCA002 2 Core Round Black Braid Rubber

FIXING BRACKET MLROSE31 | Powder Coat White



www.mullanlighting.com

Product Notes:

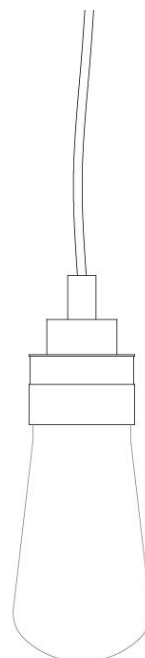
1) Lamps not included with light fixture. 2) All products are individually hand crafted, therefore may differ slightly within manufacturing tolerances. 3) Please refer to: <http://www.mullanlighting.com/terms> for full list of Terms & Conditions. 4) Cable/Chain can be shortened during installation. 5) Longer Cable/Chain available on request. 6) Additional colour finishes available on request. 7.) Dimensions do not include lamps. 8.) Products wired to UL standards will operate at 110/120v with the appropriate lampholders.



BO Bathroom Pendant

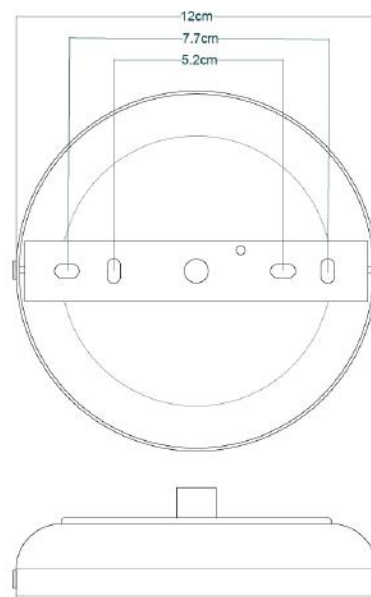
MLBP009POLBRS

Polished Brass



MATERIAL	Brass Aluminium Glass
HEIGHT	22cm 8.66"
WIDTH DIAMETER	8cm 3.15"
LENGTH PROJECTION	n/a
WEIGHT	0.85kg 1.87lb
LAMPHOLDER	E27
MAX WATTAGE	6.5W
VOLTAGE	220/240v
IP RATING	IP65
CLASS PROTECTION	2
SHADE	GLWP01
FLEX BAR CHAIN LENGT	100cm 40"
CABLE TYPE	MLOCA002 2 Core Round Black Braid Rubber

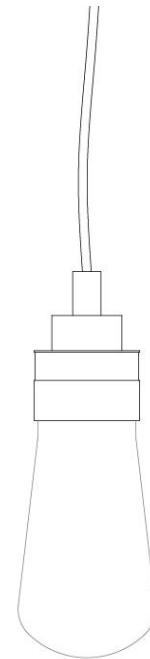
FIXING BRACKET MLROSE31 | Polished Brass



www.mullanlighting.com

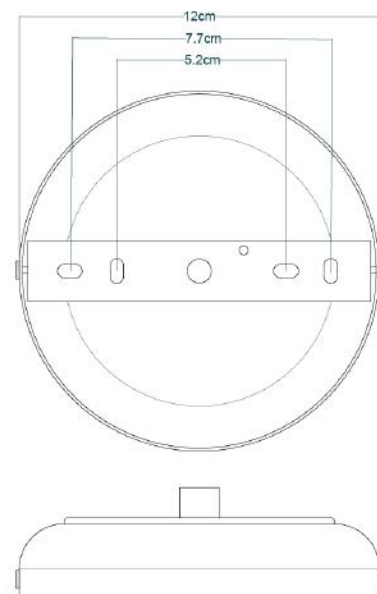
Product Notes:
 1) Lamps not included with light fixture. 2) All products are individually hand crafted, therefore may differ slightly within manufacturing tolerances. 3) Please refer to: <http://www.mullanlighting.com/terms> for full list of Terms & Conditions. 4) Cable/Chain can be shortened during installation. 5) Longer Cable/Chain available on request. 6) Additional colour finishes available on request. 7.) Dimensions do not include lamps. 8.) Products wired to UL standards will operate at 110/120v with the appropriate lampholders.





MATERIAL	Brass Aluminium Glass
HEIGHT	22 cm 8.66"
WIDTH DIAMETER	8 cm 3.15"
LENGTH PROJECTION	100 cm 39.37"
WEIGHT	0.85kg 1.87lb
LAMPHOLDER	E27
MAX WATTAGE	6.5W
VOLTAGE	220/240v
IP RATING	IP65
CLASS PROTECTION	2
SHADE	GLWP02
FLEX BAR CHAIN LENGT	100cm 40"
CABLE TYPE	MLOCA002 2 Core Round Black Braid Rubber

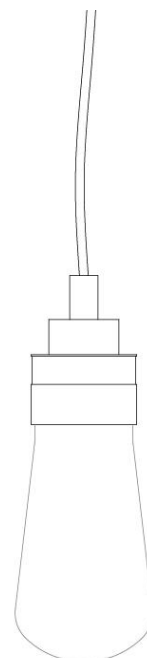
FIXING BRACKET MLROSE31 | Polished Brass



Product Notes:

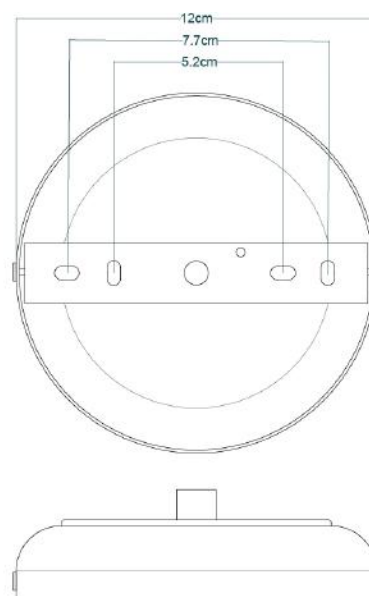
1) Lamps not included with light fixture. 2) All products are individually hand crafted, therefore may differ slightly within manufacturing tolerances. 3) Please refer to: <http://www.mullanlighting.com/terms> for full list of Terms & Conditions. 4) Cable/Chain can be shortened during installation. 5) Longer Cable/Chain available on request. 6) Additional colour finishes available on request. 7.) Dimensions do not include lamps. 8.) Products wired to UL standards will operate at 110/120v with the appropriate lampholders.

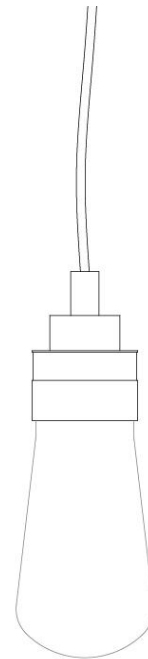




MATERIAL	Brass Aluminium Glass
HEIGHT	22cm 8.66"
WIDTH DIAMETER	8cm 3.15"
LENGTH PROJECTION	n/a
WEIGHT	0.85kg 1.87lb
LAMPHOLDER	E27
MAX WATTAGE	6.5W
VOLTAGE	220/240v
IP RATING	IP65
CLASS PROTECTION	2
SHADE	GLWP01
FLEX BAR CHAIN LENGT	100cm 40"
CABLE TYPE	MLOCA002 2 Core Round Black Braid Rubber

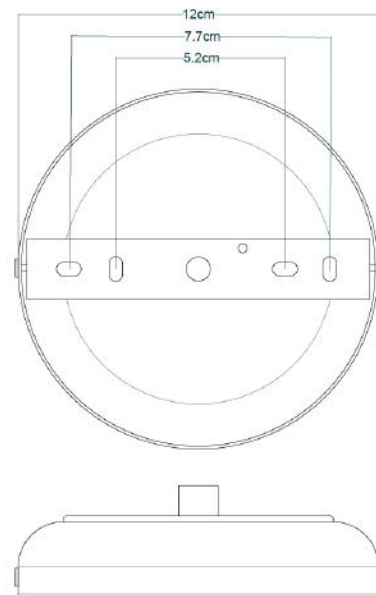
FIXING BRACKET MLROSE31 | Polished Chrome

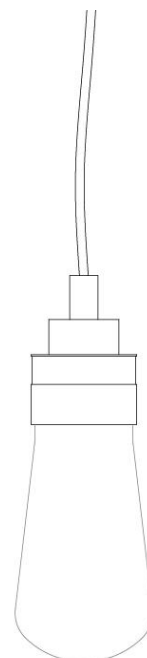




MATERIAL	Brass Aluminium Glass
HEIGHT	22cm 8.66"
WIDTH DIAMETER	8cm 3.15"
LENGTH PROJECTION	n/a
WEIGHT	0.85kg 1.87lb
LAMPHOLDER	E27
MAX WATTAGE	6.5W
VOLTAGE	220/240v
IP RATING	IP65
CLASS PROTECTION	2
SHADE	GLWP01
FLEX BAR CHAIN LENGT	100cm 40"
CABLE TYPE	MLOCA002 2 Core Round Black Braid Rubber

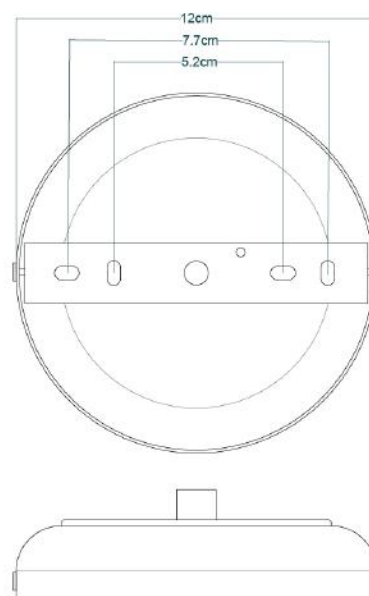
FIXING BRACKET MLROSE31 | Satin Brass





MATERIAL	Brass Aluminium Glass
HEIGHT	22 cm 8.66"
WIDTH DIAMETER	8 cm 3.15"
LENGTH PROJECTION	100 cm 39.37"
WEIGHT	0.85kg 1.87lb
LAMPHOLDER	E27
MAX WATTAGE	6.5W
VOLTAGE	220/240v
IP RATING	IP65
CLASS PROTECTION	2
SHADE	GLWP02
FLEX BAR CHAIN LENGT	100cm 40"
CABLE TYPE	MLOCA002 2 Core Round Black Braid Rubber

FIXING BRACKET MLROSE31 | Polished Brass



Product Notes:
 1) Lamps not included with light fixture. 2) All products are individually hand crafted, therefore may differ slightly within manufacturing tolerances. 3) Please refer to: <http://www.mullanlighting.com/terms> for full list of Terms & Conditions. 4) Cable/Chain can be shortened during installation. 5) Longer Cable/Chain available on request. 6) Additional colour finishes available on request. 7.) Dimensions do not include lamps. 8.) Products wired to UL standards will operate at 110/120v with the appropriate lampholders.

